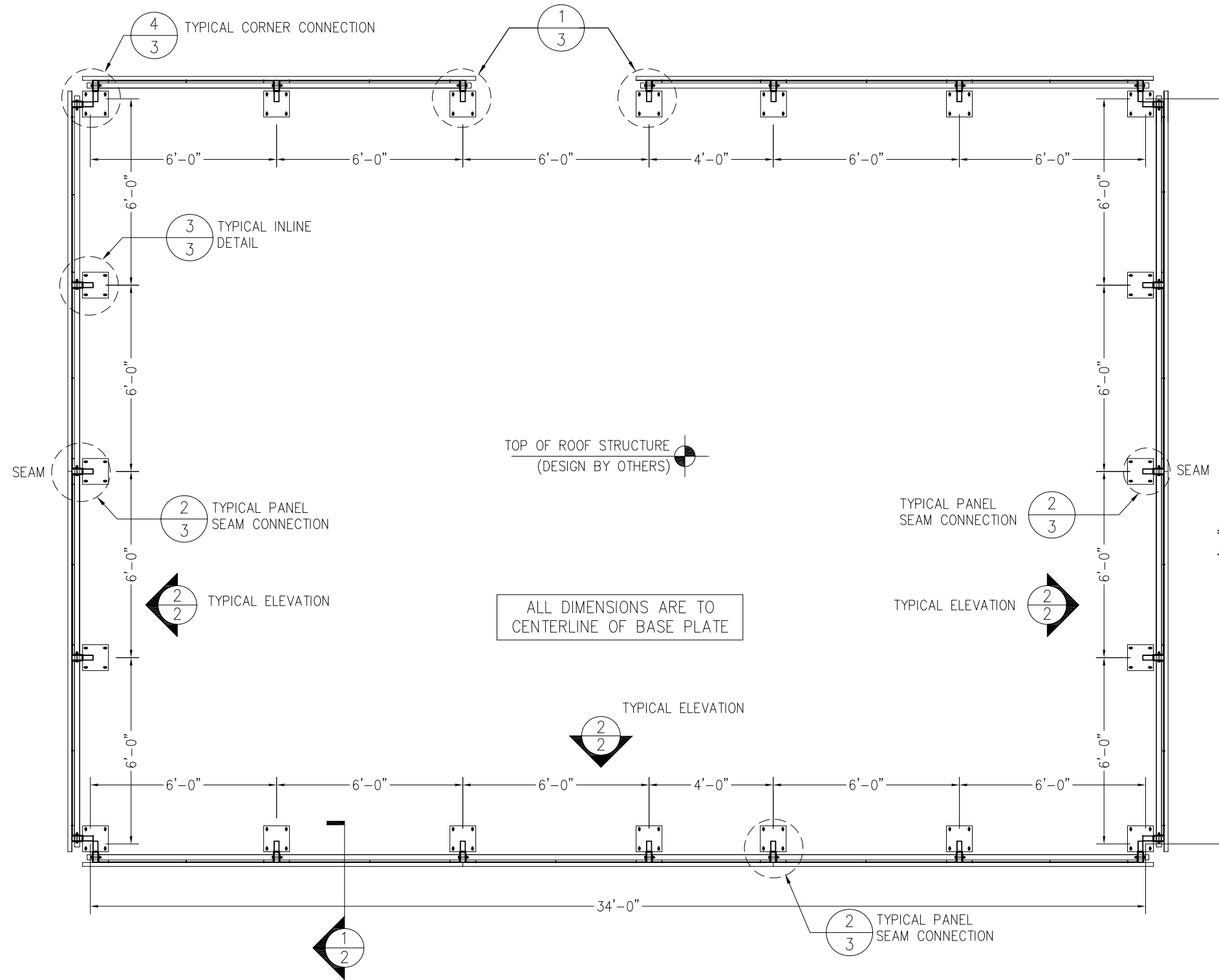


UTILITY ROOFTOP PANEL SCREENS - DETAILS



1
1 ROOFTOP SCREEN PARTIAL PLAN
N.T.S. PLAN

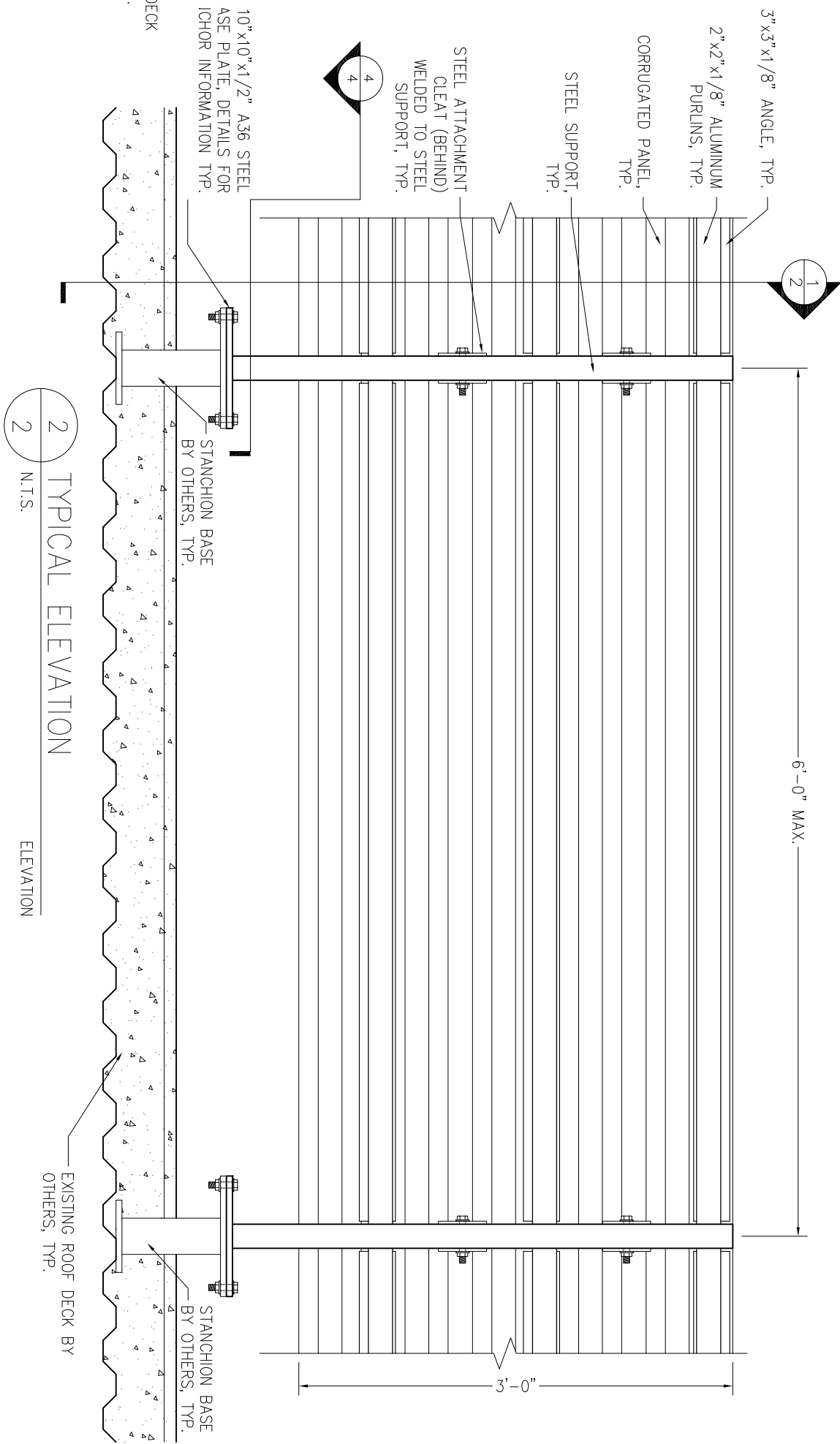
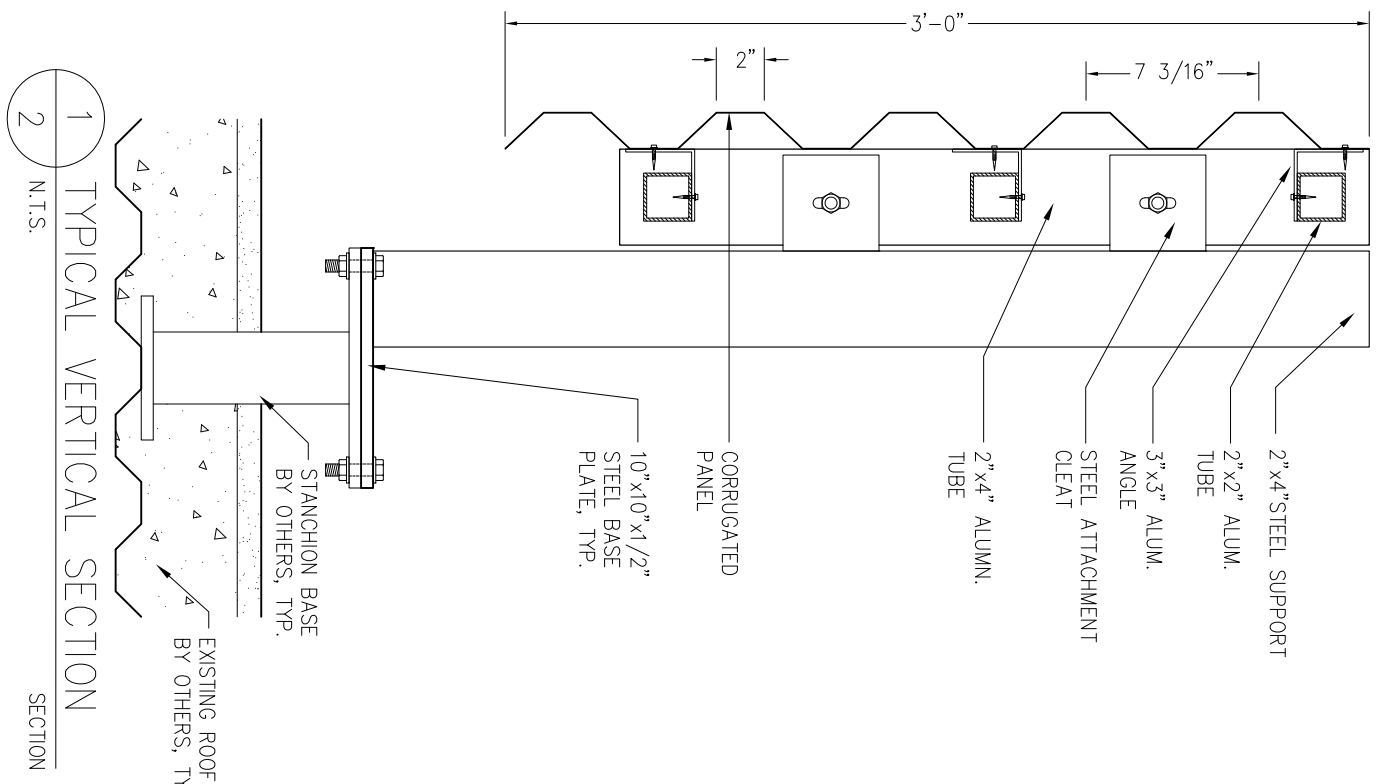
AMERICAN PRODUCTS, INC. (API)
12157 W. LINEBAUGH AVENUE #335
TAMPA, FL 33626
CONTACT: KERRI BEALS
PH (813)925-0144
WWW.AMERICANPROD.COM



Customer: API IN-HOUSE
Assembly: ROOF SCREEN
Drawn By: GB
Revision:
Scale: N.T.S.

Date: 11/05/2014
Date:
Sheet: 1 OF 5

API Recommends that this note appear with storefront elevations and section view details in your blueprints.
Storefront and related materials provided by American Products, Inc. (API). No substitutions without written consent from store owner/Architect. API (813)925-0144

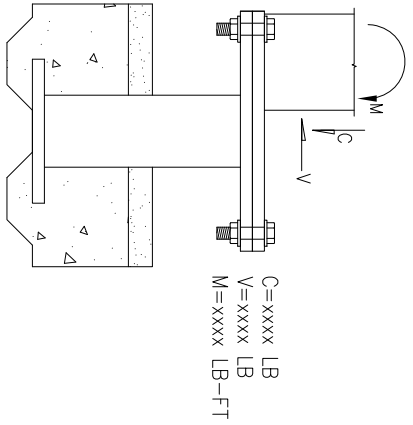


ENGINEER OF RECORD
TO VERIFY THAT HOST
STRUCTURE CAN
SUPPORT THE
FOLLOWING LOADS

2 TYPICAL ELEVATION
ELEVATION
N.T.S.

1 TYPICAL VERTICAL SECTION
SECTION
N.T.S.

3 SUPPORT REACTIONS
DETAIL
N.T.S.



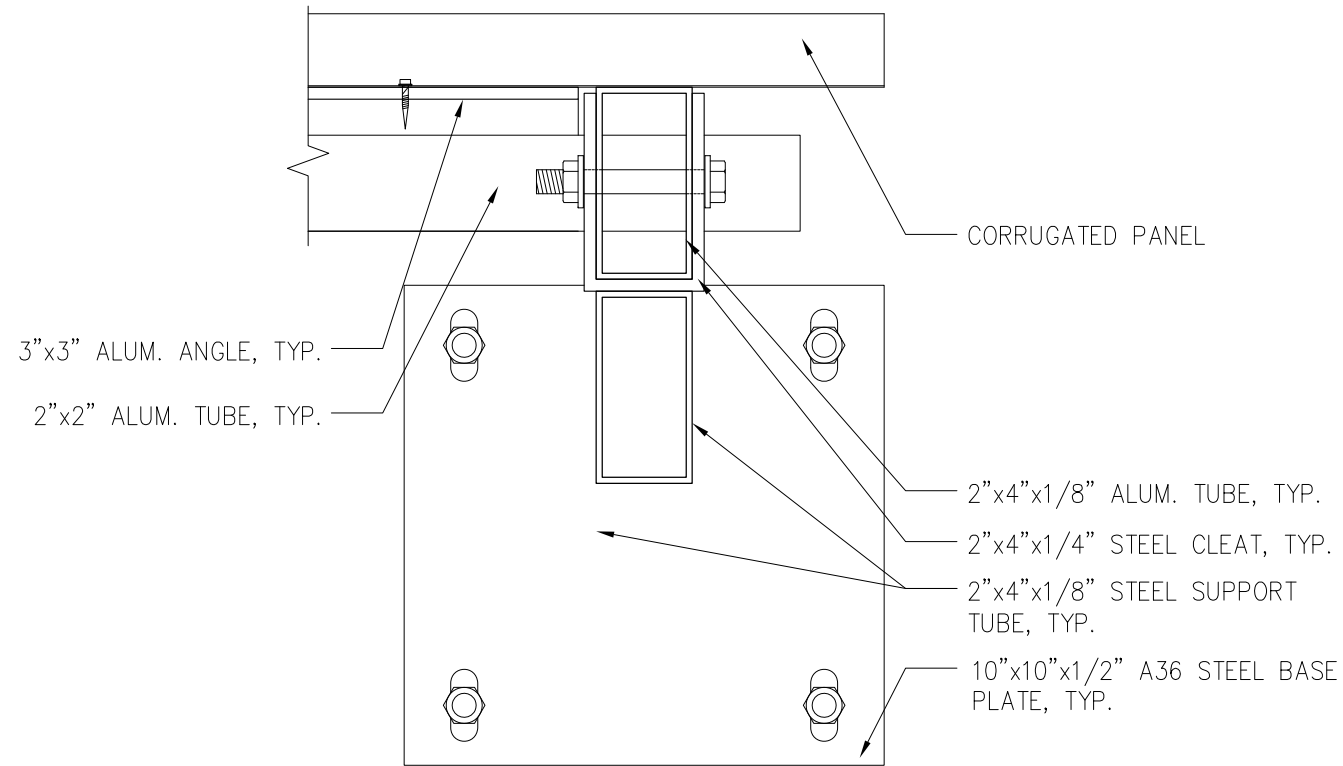
API Recommends that this note appear with storefront elevations and section view details in your blueprints.

Storefront and related materials provided by American Products, Inc. (API). No substitutions without written consent from store owner/Architect. API (813)925-0144

Customer: API IN-HOUSE	
Assembly: ROOF SCREEN	
Drawn By: GB	Date: 11/05/2014
Revision:	Date:
Scale: N.T.S.	Sheet: 2 OF 5

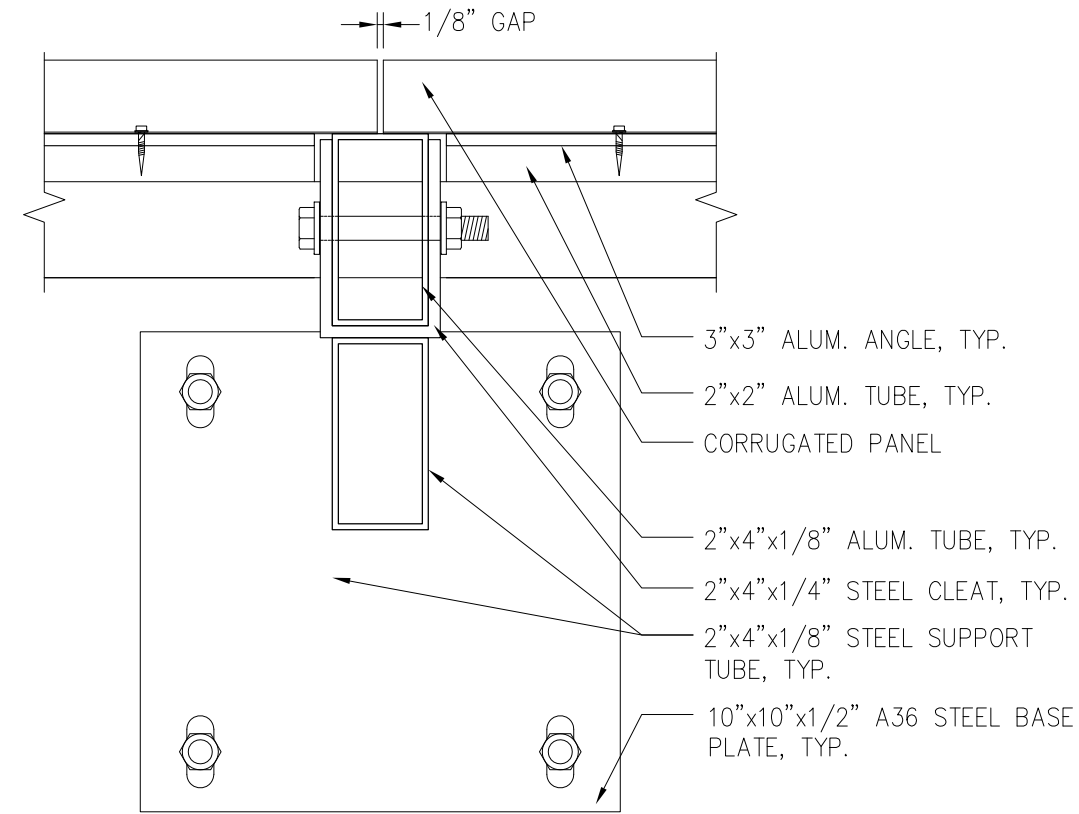


AMERICAN PRODUCTS, INC. (API)
12157 W. LINEBAUGH AVENUE #335
TAMPA, FL 33626
CONTACT: KERRI BEALS
PH (813)925-0144
WWW.AMERICANPROD.COM



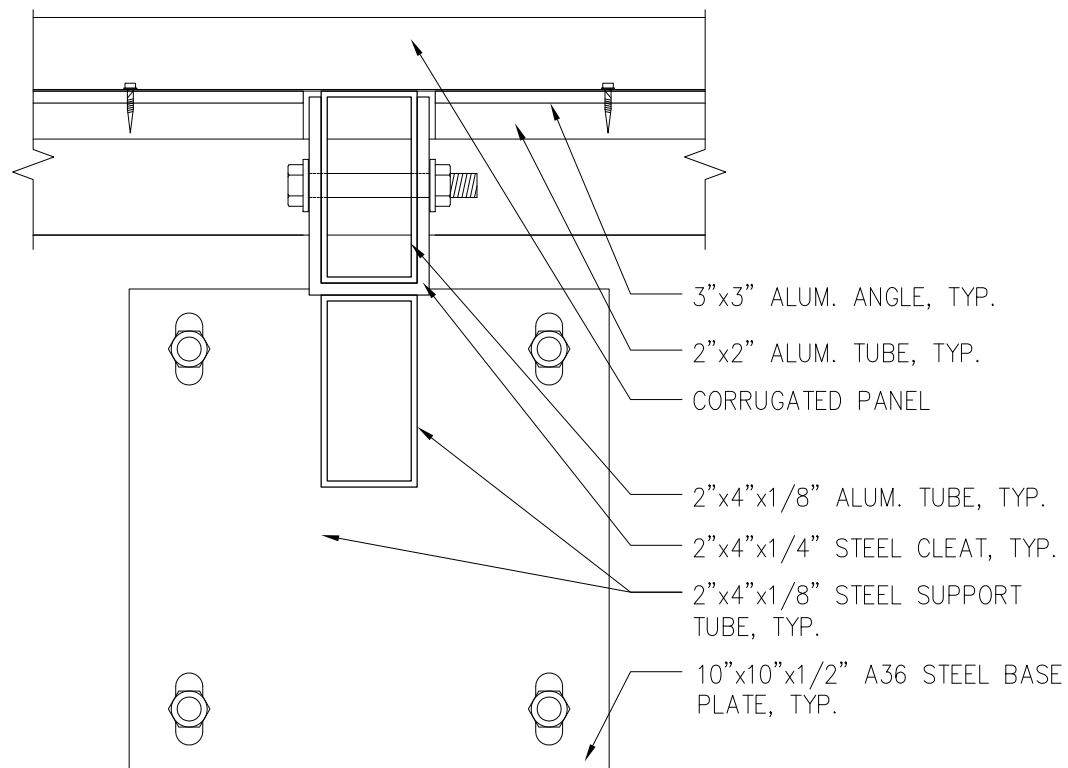
SCREEN END SUPPORT CONNECTION DETAIL

1
3 N.T.S. HORIZONTAL SECTION



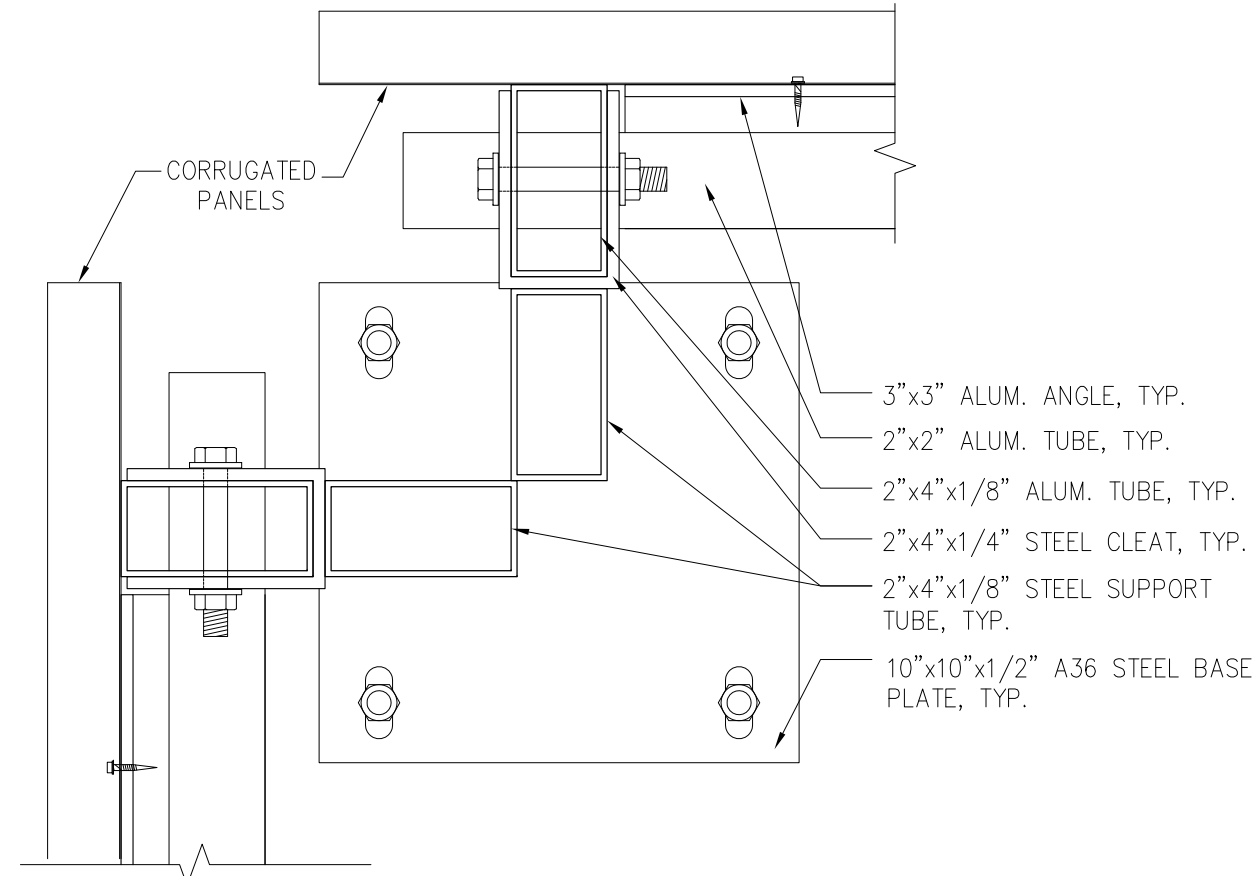
INTERMEDIATE CONNECTION DETAIL @ SEAM

2
3 N.T.S. HORIZONTAL SECTION



TYPICAL INLINE DETAIL

3
3 N.T.S. HORIZONTAL SECTION

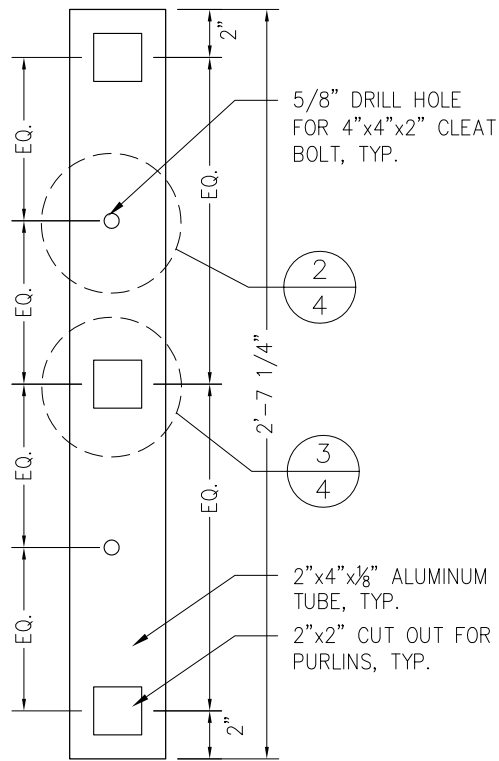


CORNER SUPPORT CONNECTION DETAIL

4
3 N.T.S. HORIZONTAL SECTION

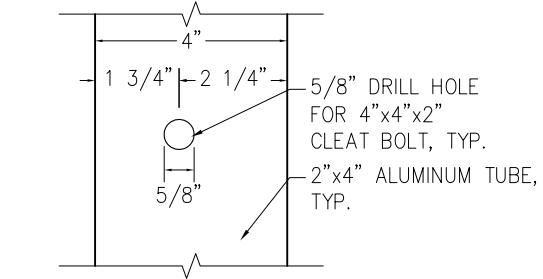
Customer: API IN-HOUSE	Date: 11/05/2014	Sheet: 3 OF 5
Assembly: ROOF SCREEN	Date:	
Drawn By: GB	Revision:	
Scale: N.T.S.		

API Recommends that this note appear with storefront elevations and section view details in your blueprints.
Storefront and related materials provided by American Products, Inc. (API). No substitutions without written consent from store owner/Architect. API (813)925-0144



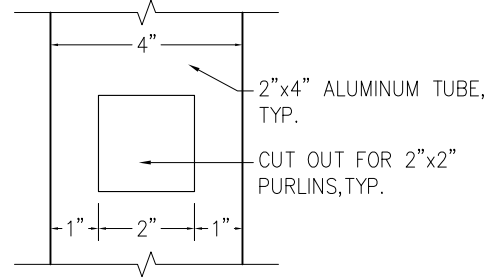
1
4 N.T.S. VIEW

VERTICAL ATTACHMENT ANGLE



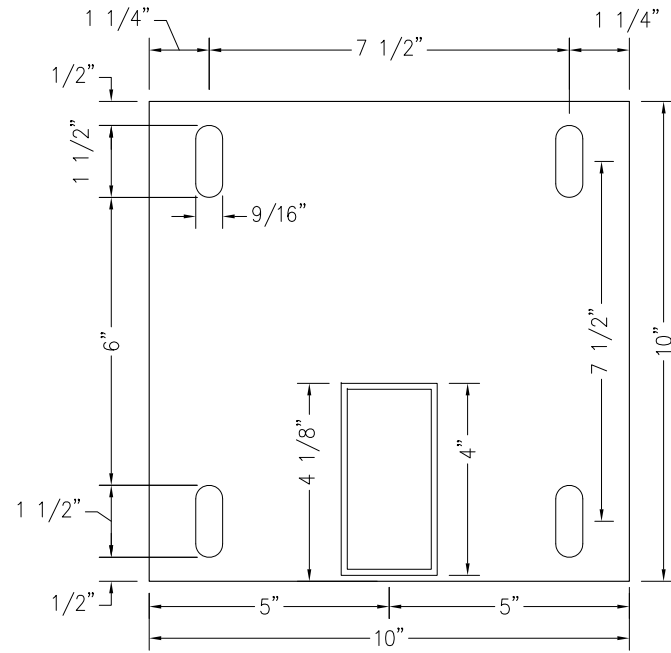
2
4 N.T.S. DETAIL

2"x2" ANGLE SLOTTED HOLES



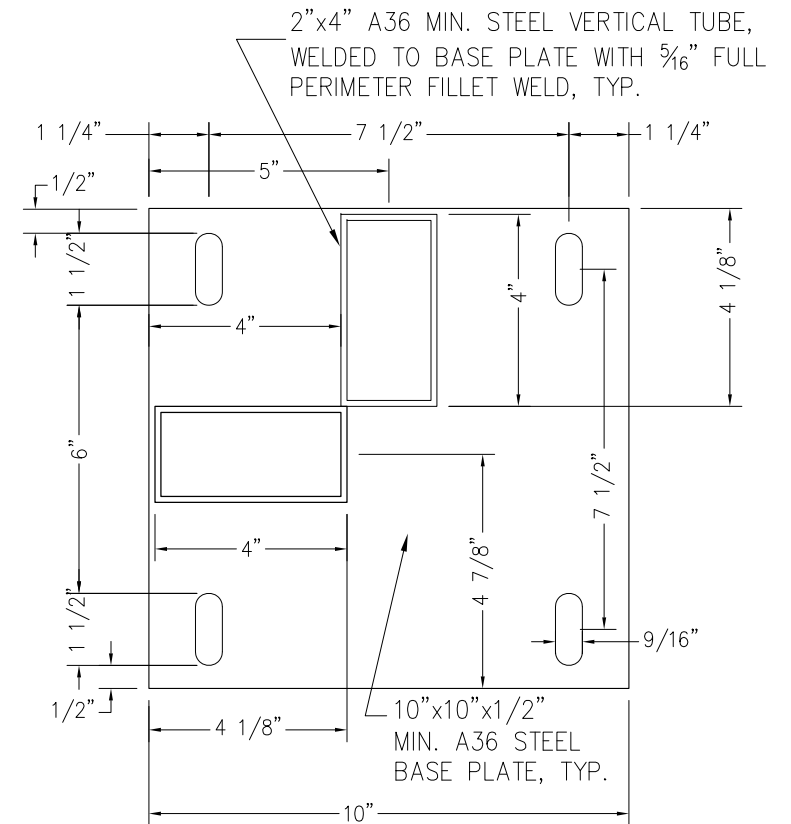
3
4 N.T.S. DETAIL

2"x2" ANGLE PILOT HOLES



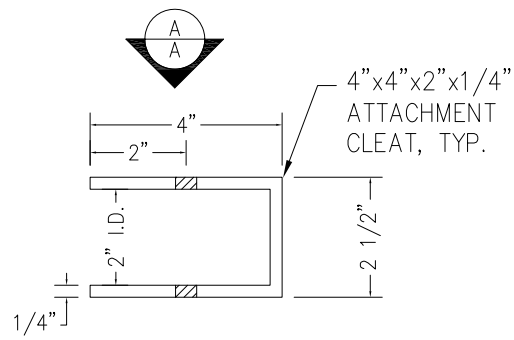
4
4 N.T.S. DETAIL

INTERMEDIATE BASE PLATE



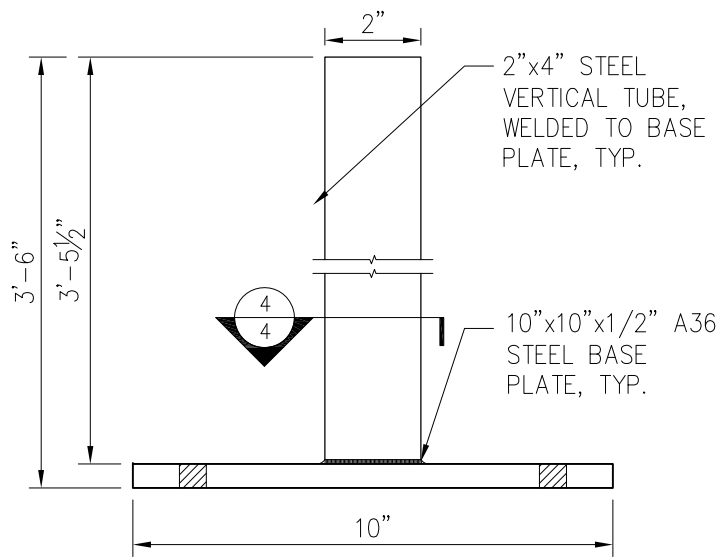
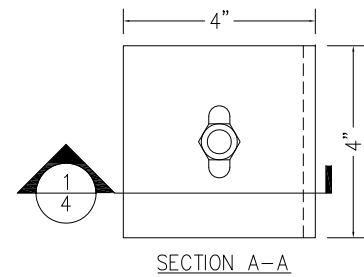
5
4 N.T.S. DETAIL

CORNER BASE PLATE



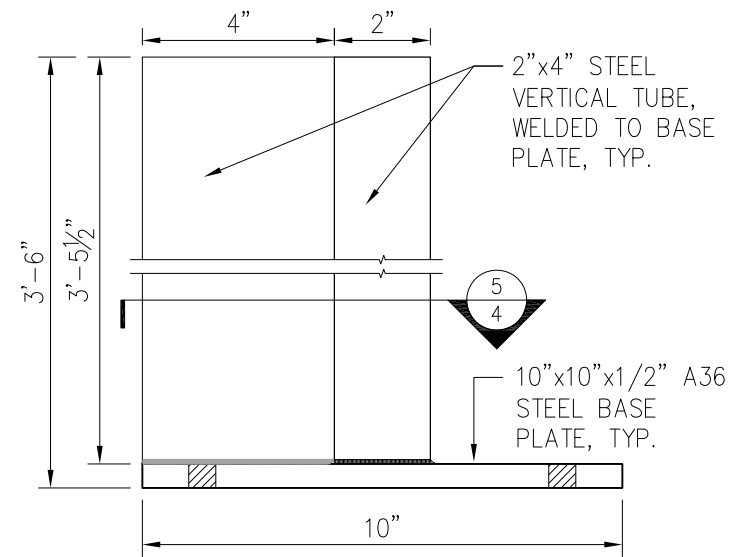
6
4 N.T.S. DETAIL

ATTACHMENT CLEAT



7
4 N.T.S. SECTION

INTERMEDIATE VERTICAL SUPPORT



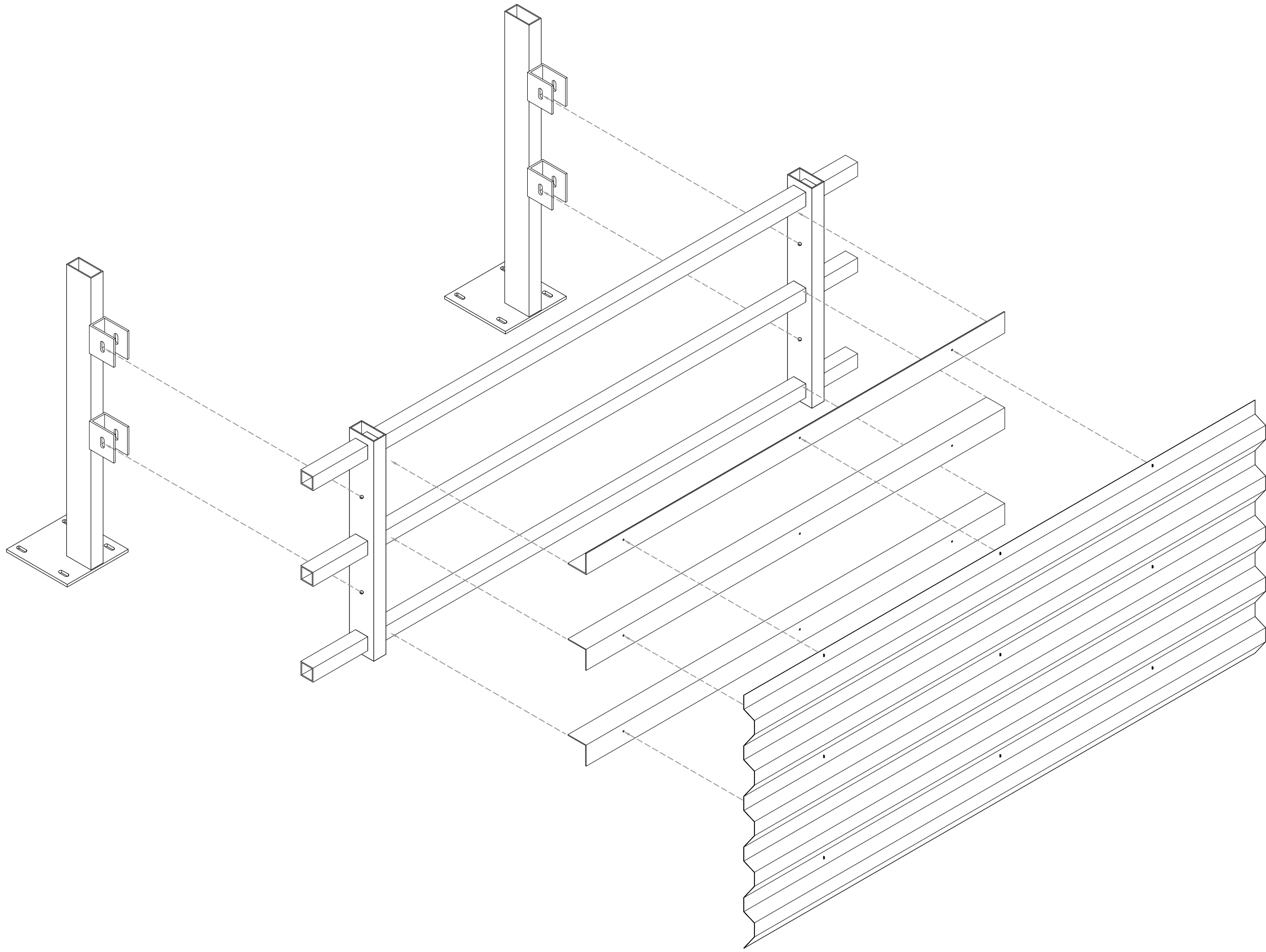
8
4 N.T.S. SECTION

CORNER VERTICAL SUPPORT

Customer: API IN-HOUSE	Date: 11/05/2014	Sheet: 4 OF 5
Assembly: ROOF SCREEN	Date:	
Drawn By: GB		
Revision:		
Scale: N.T.S.		

API Recommends that this note appear with storefront elevations and section view details in your blueprints.

Storefront and related materials provided by American Products, Inc. (API). No substitutions without written consent from store owner/Architect. API (813)925-0144



API Recommends that this note appear with storefront elevations and section view details in your blueprints.

Storefront and related materials provided by American Products, Inc. (API). No substitutions without written consent from store owner/Architect. API (813)925-0144

Customer: API IN-HOUSE

Assembly: ROOF SCREEN

Drawn By: GB

Revision:

Scale: N.T.S.

Date: 11/05/2014

Date:

Sheet: 5 OF 5



AMERICAN PRODUCTS, INC.

AMERICAN PRODUCTS, INC. (API)
 12157 W. LINEBAUGH AVENUE #335
 TAMPA, FL 33626
 CONTACT: KERRI BEALS
 PH (813)925-0144
 WWW.AMERICANPROD.COM